

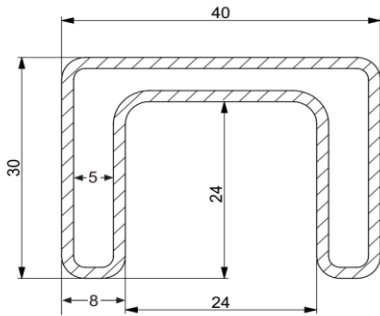
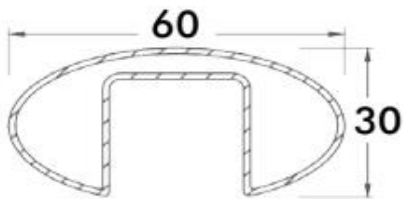
Sketch Details	Sheet No	Quote #
Customer:	Site Address:	

Top Fixed SS Handrail Profiles

Finish

PS

SS



HR100

