

Modena Glass Canopy



Product Features

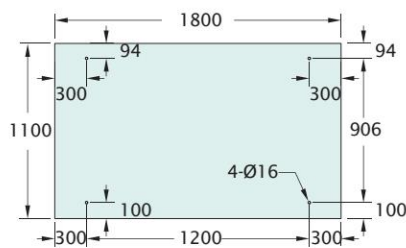
- Can be used as a single canopy or as a row of canopies to suit particular installations
- 316 Stainless Steel for long life and strength
- Fixing positions can be changed to have the Glass sloping backwards or forwards
- Maximum width of canopy is 1100 mm and length can be as required
- Utilises 12mm Toughened Safety Glass
- For specific glass and fixing details refer to our website



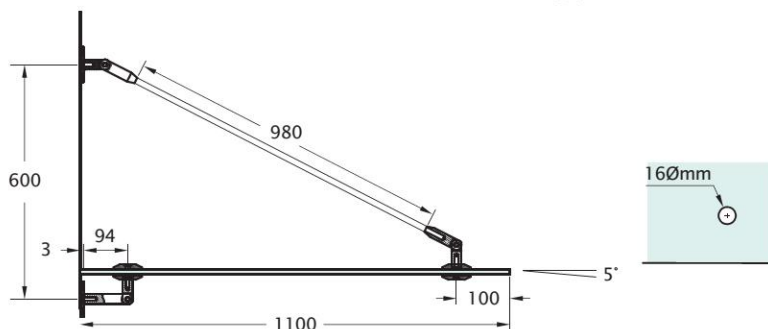
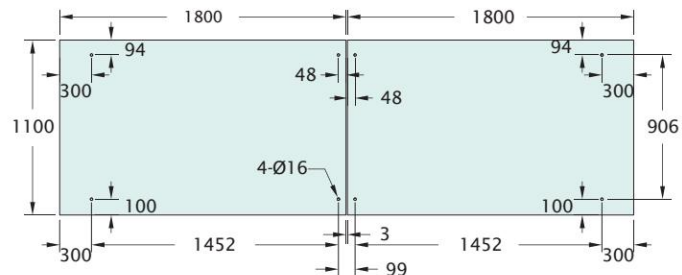
Modena Glass Canopy

| Product Code | Description | Finish | |
|--------------|--|----------|---|
| C1PS C1SS | Canopy Wall to Glass Fitting Canopy Wall to Glass Fitting | PS SS |  |
| C2PS C2SS | Canopy Wall to Strut Fitting Canopy Wall to Strut Fitting | PS SS |  |
| C3PS C3SS | Canopy Glass to Strut Fitting Canopy Glass to Strut Fitting | PS SS |  |
| C4PS C4SS | Canopy Strut 12mm×980mm Canopy Strut 12mm×980mm | PS SS |  |
| C5PS C5SS | Canopy Glass to Glass Double Connector Canopy Glass to Glass Double Connector | PS SS |  |
| C6PS C6SS | Canopy Wall to Glass Double Connector Canopy Wall to Glass Double Connector | PS SS |  |

Single Kit

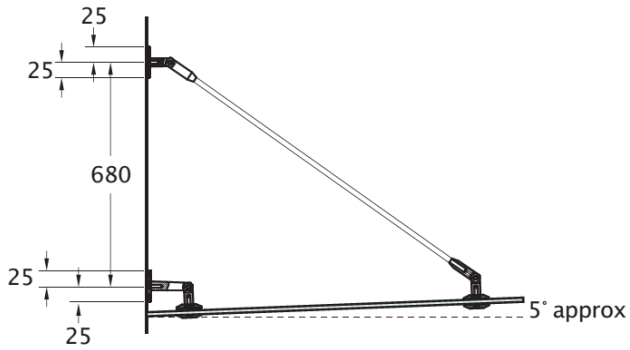


Double Kit

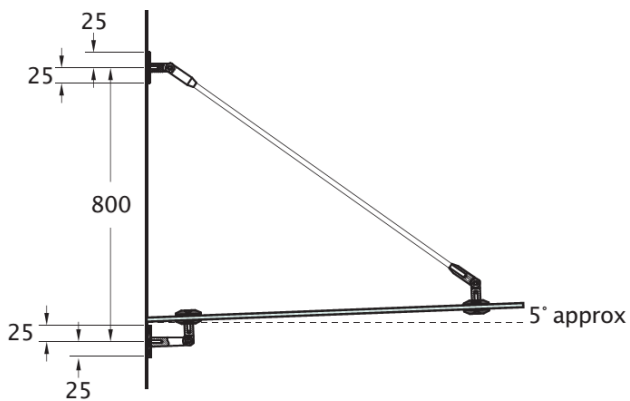


Modena Glass Wall Fixing Detail

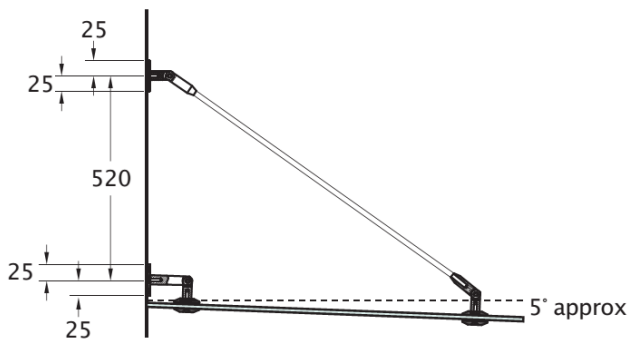
Glass Sloping Backwards, Glass below wall bracket



Glass Sloping Backwards, Glass above wall bracket



Glass Sloping Forward, Glass below wall bracket



Glass Sloping Forward, Glass above wall bracket

